

DUAL RAYS S4™
LED STREET LIGHT



POWERED by



LEDs by

PHILIPS
LUMILEDS

IP66

LM79

LM80



PERFORMANCE DATA

- Input Voltage: AC100~277V 50/60Hz
- Power: 30~180W
- Lumen: 4,200 ~ 25,200lm
- Up to 140LPW @ 60mA
- CCT: 3000/4000/5700/6500K±200K
- CRI >70Ra
- PF>0.96
- Calculated L70>50,000 H @ Ta 25°C (77°F)
- Work Temp: -40 ~ +50°C (-40°F)
- Guarantee: 5 years

FEATURES



- Rugged die-cast aluminum housing with corrosion resistant hardware, super durable powder coating finish withstand extreme climate changes without cracking or peeling;
- Air-flow through heat sink design provides perfect heat management, lighter but stronger construction. Smooth and glossy processing with natural clean system prevents debris build-up and minimizes wind loading;
- Dual-hoop mounting system fitted to 60mm (O.D.) mast-arms accommodates safety and stability. Capable of being adjusted the degree of $\pm 10^\circ/-90^\circ$ (30W/60W) or $+15^\circ/-90^\circ$ (>60W);
- Professional optics design, Type III Medium ($70^\circ \times 150^\circ$), Type I Short $50^\circ \times 120^\circ$ for option;
- low light decay
 - Top brand components, PHILIP LUMILEDS LUXEON LEDs light source, Meanwell ELG/HLG driver, durable;
 - Adopting SMD5050 LEDs light source, high output lighting efficiency 140lm/W, high Color Rendering Index (CRI>70/80Ra), excellent heat dissipation, low light decay;.
 - Tool-less access to the down-opening driver door makes easy maintenance and
 - 10KV/20KV SPD for option;
 - CE, RoHS listed, LM-79/80 reports available, TUV/GS Pending, 5 years guarantee;

APPLICATION

- Roadways.
- Avenues.
- Walkways.
- Loading Area.
- Parking lot.
- Playground.
- Sport and Stadium.

ORDERING INFORMATION

SSL Series	Module Type	Power	Series No.	Market	Driver
DR	ST	180	D	G	2
DUALWAYS	Street Light	180W	D Class	Global Market	International Brand

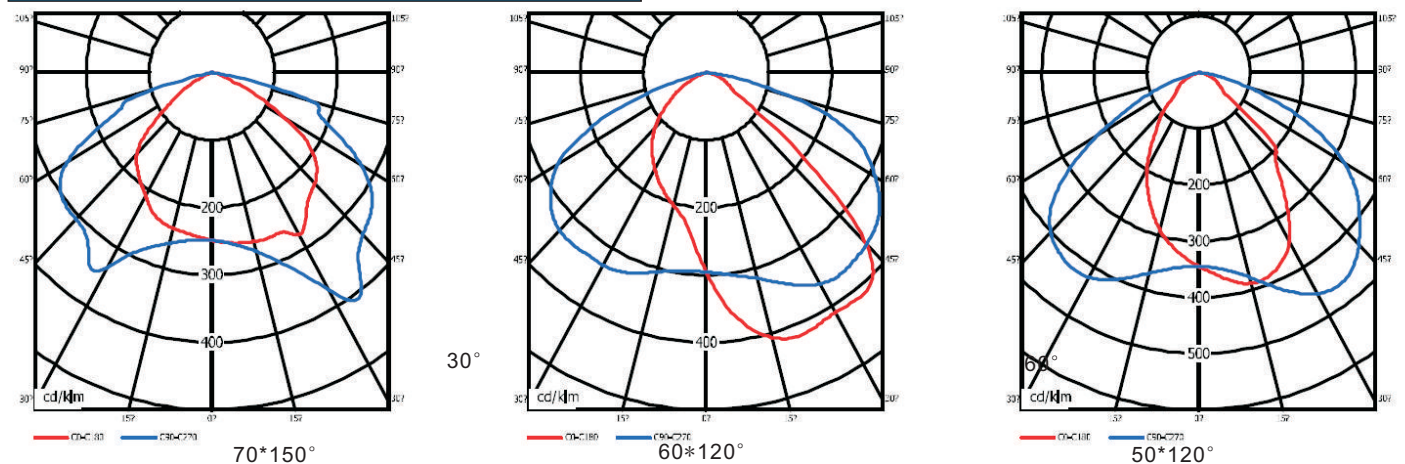
Remarks:

- a. The above ordering information is DR-ST1800-DG2 for example;
- b. Please consult your sales representative for opinions and the leading time will be varied depending on the options selected;

ELECTRICAL DATA

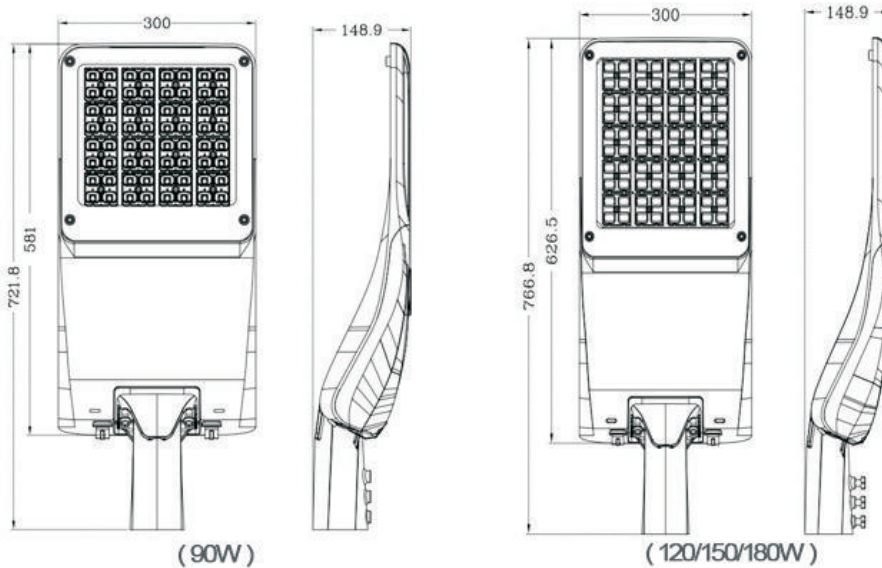
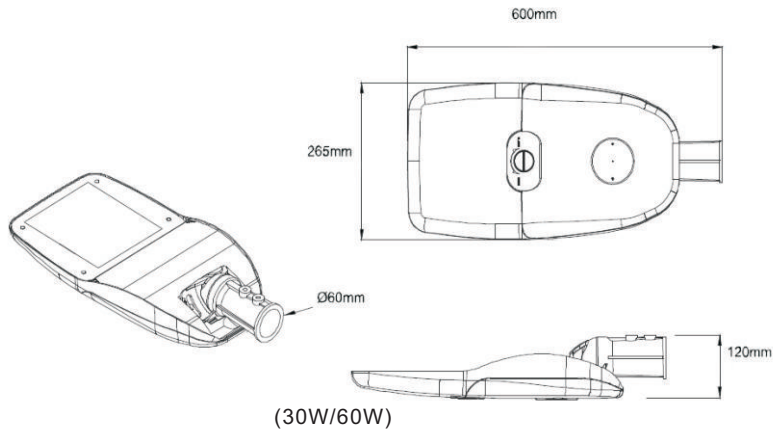
Model No.	Quantity of LEDs	LEDs Driving Current	Rated Power
DR-ST030-DG2	72PCS	60mA	30W
DR-ST060-DG2	96PCS	100mA	60W
DR-ST090-DG2	512PCS	50mA	90W
DR-ST120-DG2	640PCS	60mA	120W
DR-ST150-DG2	640PCS	70mA	150W
DR-ST180-DG2	640PCS	90mA	180W

DIMENSION and DIAGRAM



Model No.	Driver Current	CCT	Rated Power	Rated Lumen	Efficiency	L70@25°C	Driver Life @25°C
DR-ST030-DG2	270mA	3000/4000/5700/6500K±200K	30W	4,200lm	140LPW	>50,000 Hrs	>50,000 Hrs
DR-ST060-DG2	410mA	3000/4000/5700/6500K±200K	60W	8,400lm	140LPW	>50,000 Hrs	>50,000 Hrs
DR-ST090-DG2	920mA	3000/4000/5700/6500K±200K	90W	12,600lm	140LPW	>50,000 Hrs	>50,000 Hrs
DR-ST120-DG2	1250mA	3000/4000/5700/6500K±200K	120W	16,800lm	140LPW	>50,000 Hrs	>50,000 Hrs
DR-ST150-DG2	1500mA	3000/4000/5700/6500K±200K	150W	21,000lm	140LPW	>50,000 Hrs	>50,000 Hrs
DR-ST180-DG2	1800mA	3000/4000/5700/6500K±200K	180W	25,200lm	140LPW	>50,000 Hrs	>50,000 Hrs

DIMENSION



PACKAGE INFORMATION

Model No.	QTY"/CTN (PCS)	N.W (Kg)	G.W (Kg)	Carton Size (mm)
DR-ST030-DGX	1	2.4	2.8	600*300*120
DR-ST060-DGX	1	3.8	4.3	600*300*120
DR-ST090-DGX	1	6.3	7.2	730*310*155
DR-ST120-DGX	1	7.1	8.2	790*320*155
DR-ST150-DGX	1	7.2	8.3	790*320*155
DR-ST180-DGX	1	7.8	8.9	790*320*155



SHENZHEN DUALRAYS OPTOELECTRONICS Co.,LIMITED
 Tel: 0086-755-2306 6948
 Fax: 0086-755-6164 1072
 Web: www.dualrays.com
 Email: info@dualrays.com
 Add: 6th Floor, Building 10, Gangzai Industrial Park,
 Furong Industrial Park, Xinqiao Industrial
 District, Shajing, Bao'an District, Shenzhen 518125,
 P.R.China